

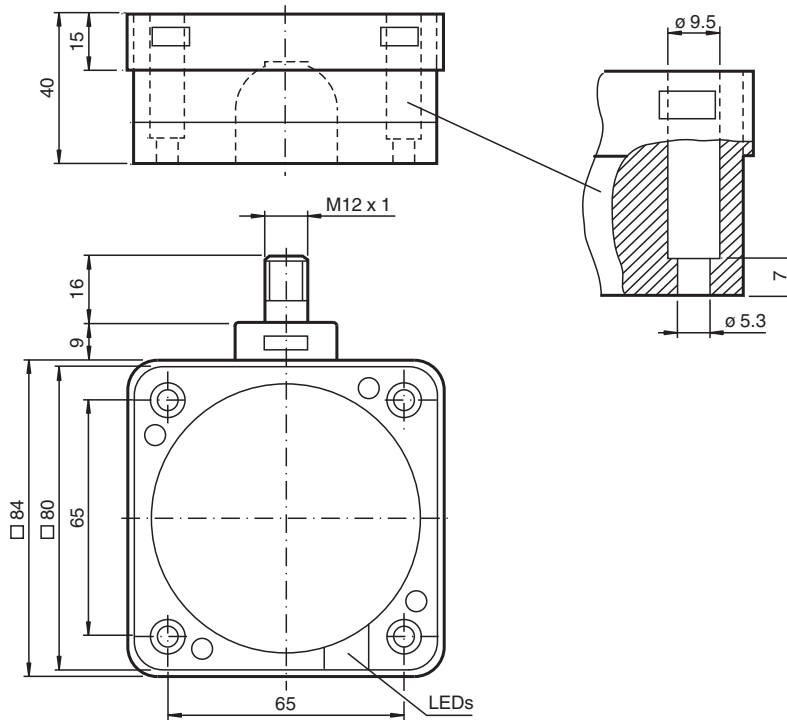


# Inductive sensor NCB40-FP-N0-P1-V1

■ 40 mm flush



## Dimensions



## Technical Data

### General specifications

Switching function		Normally closed (NC)
Output type		NAMUR
Rated operating distance	$s_n$	40 mm
Installation		flush
Assured operating distance	$s_a$	0 ... 32 mm
Actual operating distance	$s_r$	36 ... 44 mm typ. 40 mm
Reduction factor $r_{AI}$		0.35
Reduction factor $r_{Cu}$		0.35
Reduction factor $r_{304}$		0.8

Release date: 2023-05-26 Date of issue: 2023-05-26 Filename: 70133125\_eng.pdf

Refer to "General Notes Relating to Pepperl+Fuchs Product Information".

Pepperl+Fuchs Group  
www.pepperl-fuchs.com

USA: +1 330 486 0001  
fa-info@us.pepperl-fuchs.com

Germany: +49 621 776 1111  
fa-info@de.pepperl-fuchs.com

Singapore: +65 6779 9091  
fa-info@sg.pepperl-fuchs.com

**pf** PEPPERL+FUCHS

## Technical Data

Output type		2-wire
<b>Nominal ratings</b>		
Installation conditions		
F		100 mm
Nominal voltage	$U_o$	8.2 V ( $R_i$ approx. 1 k $\Omega$ )
Switching frequency	f	0 ... 80 Hz
Hysteresis	H	0 ... 5 typ. 3 %
Reverse polarity protection		reverse polarity protected
Short-circuit protection		yes
Current consumption		
Measuring plate not detected		$\geq 3$ mA
Measuring plate detected		$\leq 1$ mA
Time delay before availability	$t_v$	$\leq 20$ ms
Switching state indicator		LED, yellow
<b>Functional safety related parameters</b>		
MTTF <sub>d</sub>		2368 a
Mission Time ( $T_M$ )		20 a
Diagnostic Coverage (DC)		0 %
<b>Compliance with standards and directives</b>		
Standard conformity		
NAMUR		EN 60947-5-6:2000 IEC 60947-5-6:1999
Electromagnetic compatibility		NE 21:2007
Standards		EN 60947-5-2:2007 EN 60947-5-2/A1:2012 IEC 60947-5-2:2007 IEC 60947-5-2 AMD 1:2012
<b>Approvals and certificates</b>		
IECEx approval		
Equipment protection level Ga		IECEx PTB 11.0021X
Equipment protection level Gb		IECEx PTB 11.0021X
Equipment protection level Da		IECEx PTB 11.0021X
Equipment protection level Mb		IECEx PTB 11.0021X
ATEX approval		
Equipment protection level Ga		PTB 00 ATEX 2032 X
Equipment protection level Gb		PTB 00 ATEX 2032 X
Equipment protection level Da		PTB 00 ATEX 2032 X
UL approval		
Ordinary Location		E87056
Hazardous Location		E501628
Control drawing		116-0451
CCC approval		
Hazardous Location		2020322315002304
NEPSI approval		
NEPSI certificate		GYJ16.1394X
CML approval		on request
ANZEx		19.3001X
<b>Ambient conditions</b>		
Ambient temperature		-25 ... 100 °C (-13 ... 212 °F)
Storage temperature		-40 ... 100 °C (-40 ... 212 °F)
<b>Mechanical specifications</b>		
Connection type		Connector plug
Housing material		PBT
Sensing face		PBT

Release date: 2023-05-26 Date of issue: 2023-05-26 Filename: 70133125\_eng.pdf

Refer to "General Notes Relating to Pepperl+Fuchs Product Information".

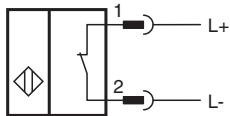
Pepperl+Fuchs Group  
www.pepperl-fuchs.comUSA: +1 330 486 0001  
fa-info@us.pepperl-fuchs.comGermany: +49 621 776 1111  
fa-info@de.pepperl-fuchs.comSingapore: +65 6779 9091  
fa-info@sg.pepperl-fuchs.com

**PEPPERL+FUCHS**

## Technical Data

Housing base	PBT
Degree of protection	IP67
Connector	
Threading	M12 x 1
Number of pins	4
<b>General information</b>	
Use in the hazardous area	see instruction manuals

## Connection



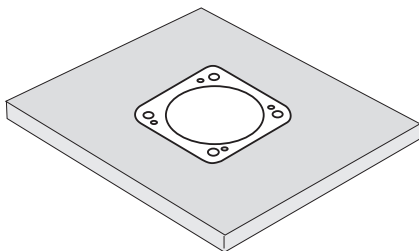
Wire colors in accordance with EN 60947-5-6

1	BN	(brown)
2	BU	(blue)

## Installation Conditions

These sensors are especially designed for embeddable mounting in conveyor floors. Due to its precise location in metal base plates the sensor is afforded a high degree of mechanical protection. No clearance is required between the sensor and the base plate, avoiding the need for protective guarding to prevent possible foot injury.

The large sensing range ensures positive detection, and thus provides consistent control and monitoring of the conveyor.



## Accessories

	<b>V1-G-N-2M-PUR</b>	Female cordset single-ended M12 straight A-coded, 2-pin, PUR cable blue, NAMUR
--	----------------------	--

Release date: 2023-05-26 Date of issue: 2023-05-26 Filename: 70133125\_eng.pdf

Refer to "General Notes Relating to Pepperl+Fuchs Product Information".

## Accessories



**V1-W-N-2M-PUR**

Female cordset single-ended M12 angled A-coded, 2-pin, PUR cable blue, NAMUR

Release date: 2023-05-26 Date of issue: 2023-05-26 Filename: 70133125\_eng.pdf

Refer to "General Notes Relating to Pepperl+Fuchs Product Information".

Pepperl+Fuchs Group  
www.pepperl-fuchs.com

USA: +1 330 486 0001  
fa-info@us.pepperl-fuchs.com

Germany: +49 621 776 1111  
fa-info@de.pepperl-fuchs.com

Singapore: +65 6779 9091  
fa-info@sg.pepperl-fuchs.com

 **PEPPERL+FUCHS**